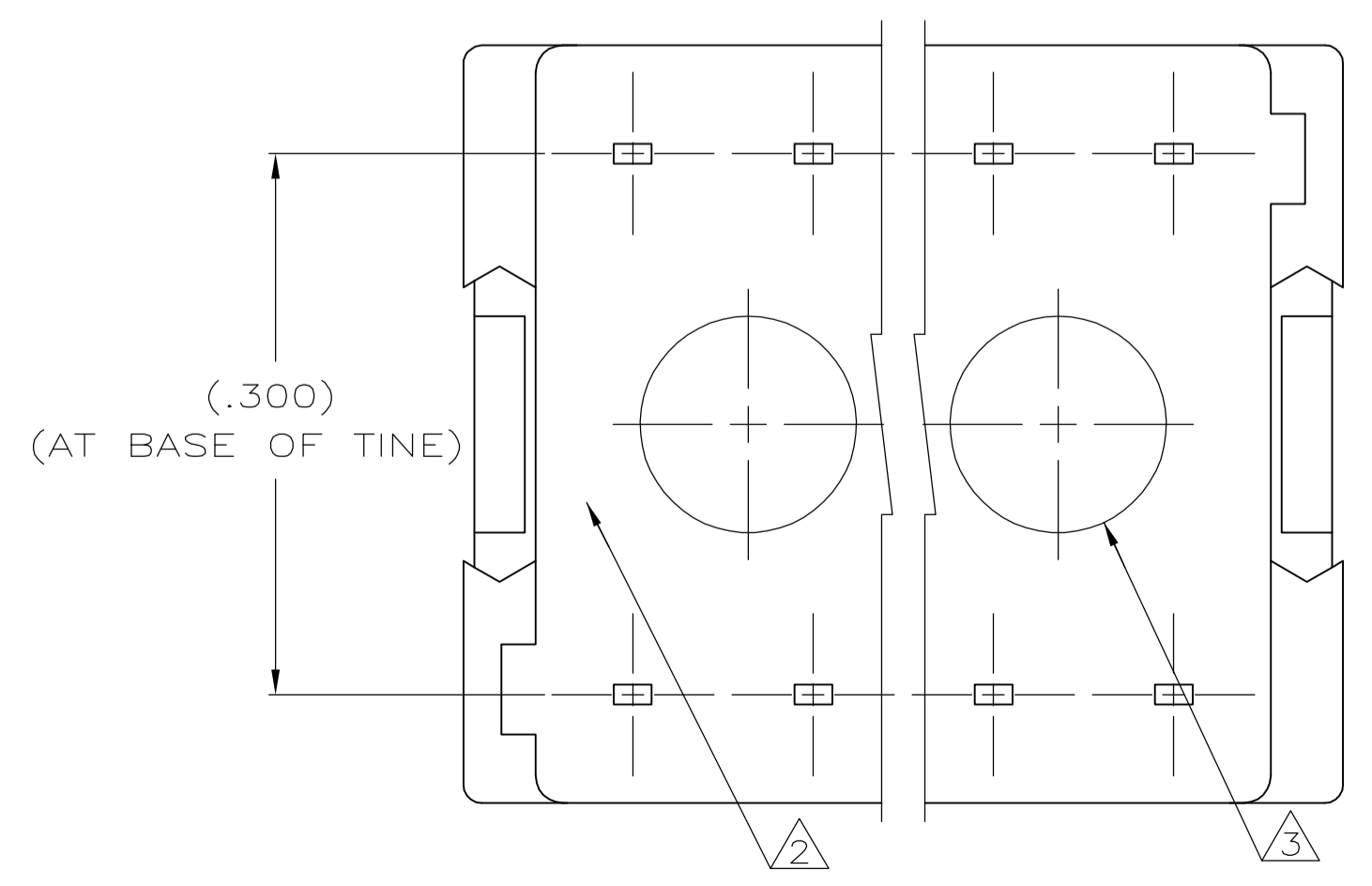
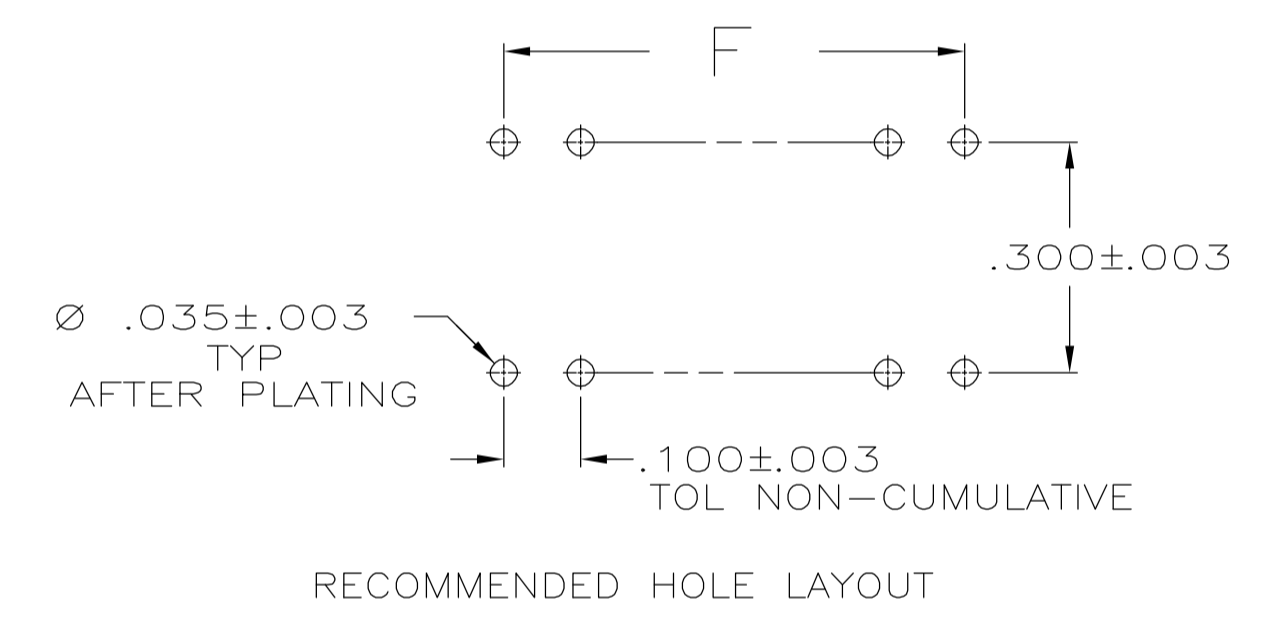
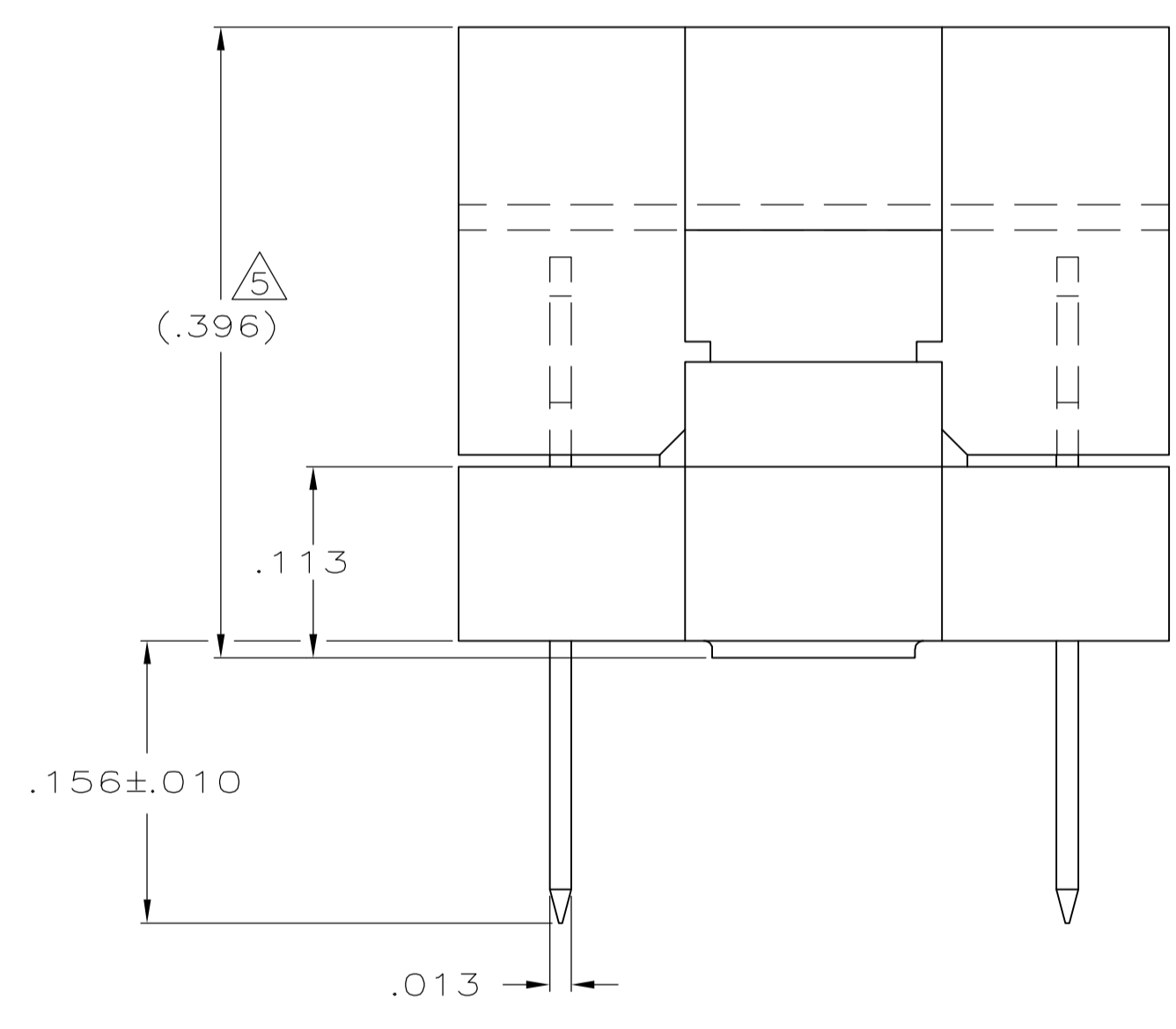
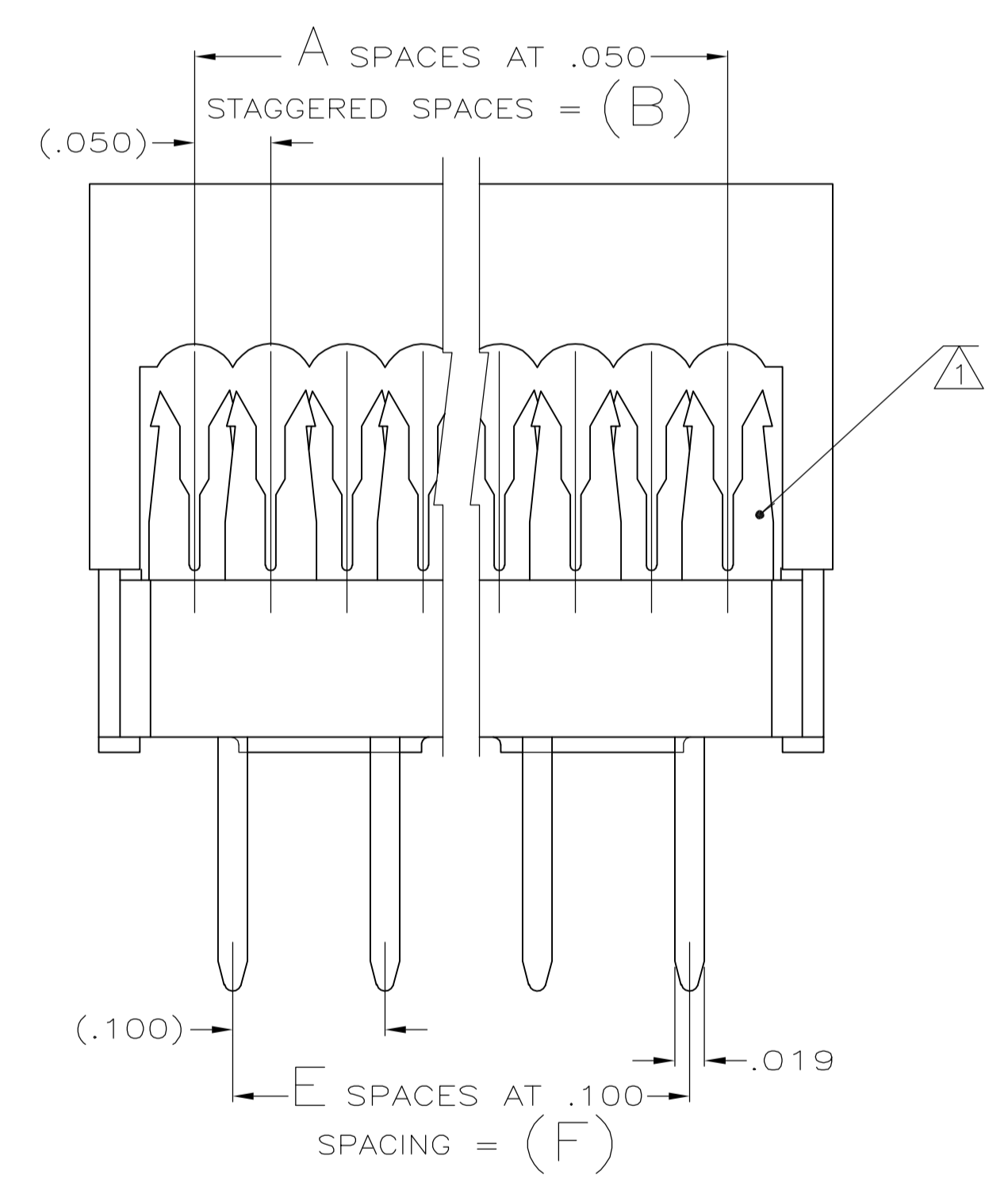
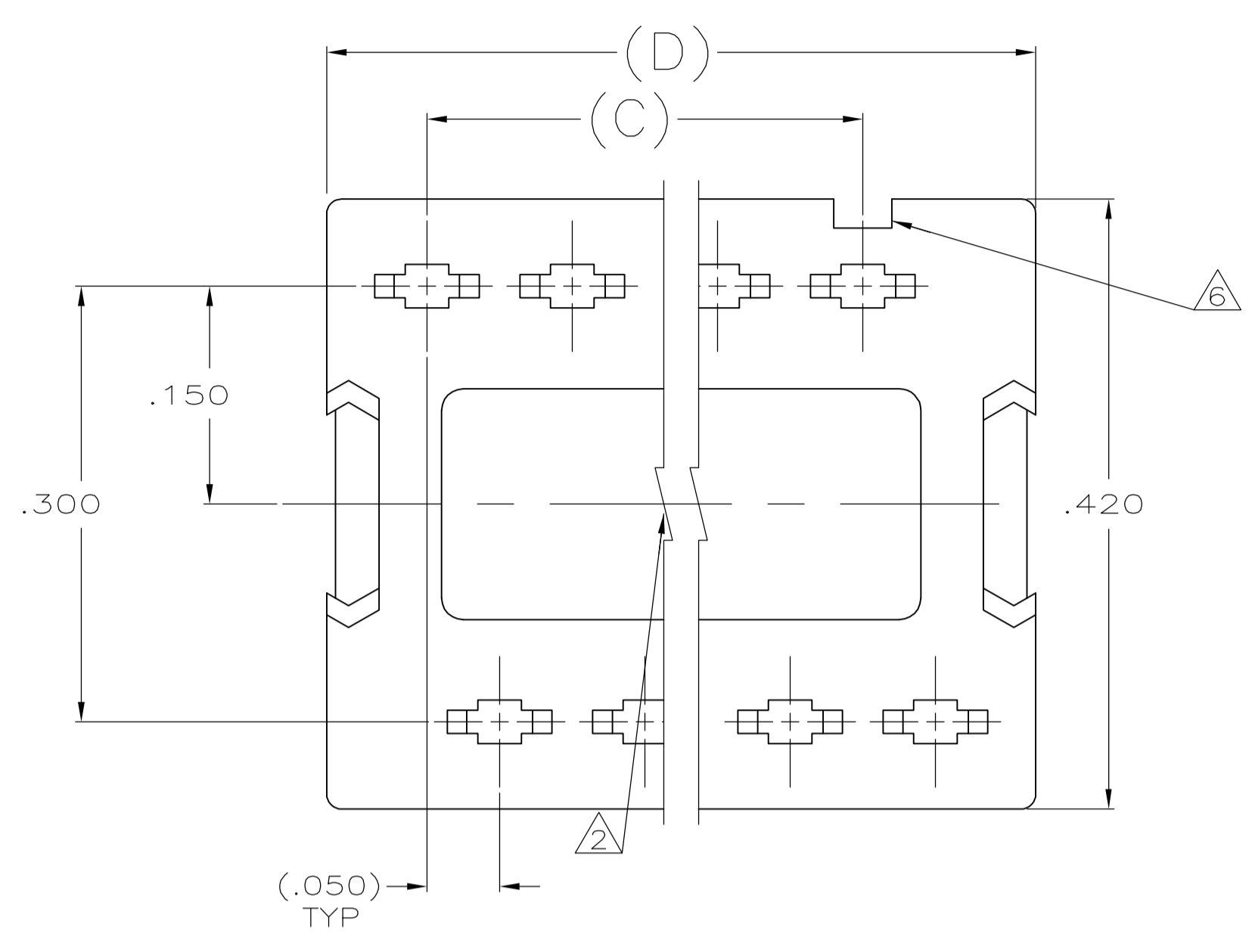


- ① CONTACTS DESIGNED FOR 28 AWG STRANDED OR 26,28, & 30 AWG SOLID WIRE.
- ② AMP TRADEMARK LOCATED IN APPROX AREA SHOWN.
- ③ STANDOFFS: POSN 8 (2) STANDOFFS AS SHOWN. POSN 14-20 (3) STANDOFFS, (1) CENTERED BETWEEN (2) SHOWN
- ④ .000005 MIN GOLD ON RIBBON CABLE TERMINATION AREA
.000100-.000200 MATTE TIN ON SOLDER TAILS, ALL OVER
.000050 MIN NICKEL.
- ⑤ HEIGHT AFTER TERMINATION IS (.253).
- ⑥ INDICATES NO 1 POSITION.
- ⑦ MOLDED PARTS: 94V-0 RATED THERMOPLASTIC, COLOR BLACK.
CONTACTS: PHOS BRONZE



| | | | | | | | | |
|----------|------|---|-------|------|------|----|------------|-----------|
| OBSOLETE | .900 | 9 | 1.088 | .900 | .950 | 19 | 20 | 5746613-5 |
| OBSOLETE | .800 | 8 | .988 | .800 | .850 | 17 | 18 | -4 |
| | .700 | 7 | .888 | .700 | .750 | 15 | 16 | -3 |
| | .600 | 6 | .788 | .600 | .650 | 13 | 14 | -2 |
| | .300 | 3 | .488 | .300 | .350 | 7 | 8 | 5746613-1 |
| | F | E | D | C | B | A | NO OF POSN | |

THIS DRAWING IS A CONTROLLED DOCUMENT.

| | | | | | | | | |
|--------------------|--|---------------------------|--------------|-----------|------------|------------------|--|------------------------------|
| DIMENSIONS: INCHES | TOLERANCES UNLESS OTHERWISE SPECIFIED: | DIN G. ATTADIA - 11-29-04 | 11-29-04 | 11-29-04 | 11-29-04 | 11-29-04 | 11-29-04 | 11-29-04 |
| 0 PLC ± - | 1 PLC ± - | 2 PLC ± - | 3 PLC ± .005 | 4 PLC ± - | ANGLES ± - | APVD M. WALMSLEY | NAME | 11-29-04 |
| MATERIAL | FINISH | WEIGHT | SIZE | CAGE CODE | DRAWING NO | RESTRICTED TO | KIT, AMP-LATCH DIP PLUG, PREASSEMBLED .100 X .300 CENTERS. | |
| ⑦ | ④ | - | A1 | 00779 | 5746613 | - | CUSTOMER DRAWING | SCALE NTS SHEET 1 OF 1 REV B |

Tyco Electronics Corporation
Harrisburg, PA 17105-3608